

Modern IWS 3 GT Undermount Workstation

Style Number: 774852

Collection: The Galley

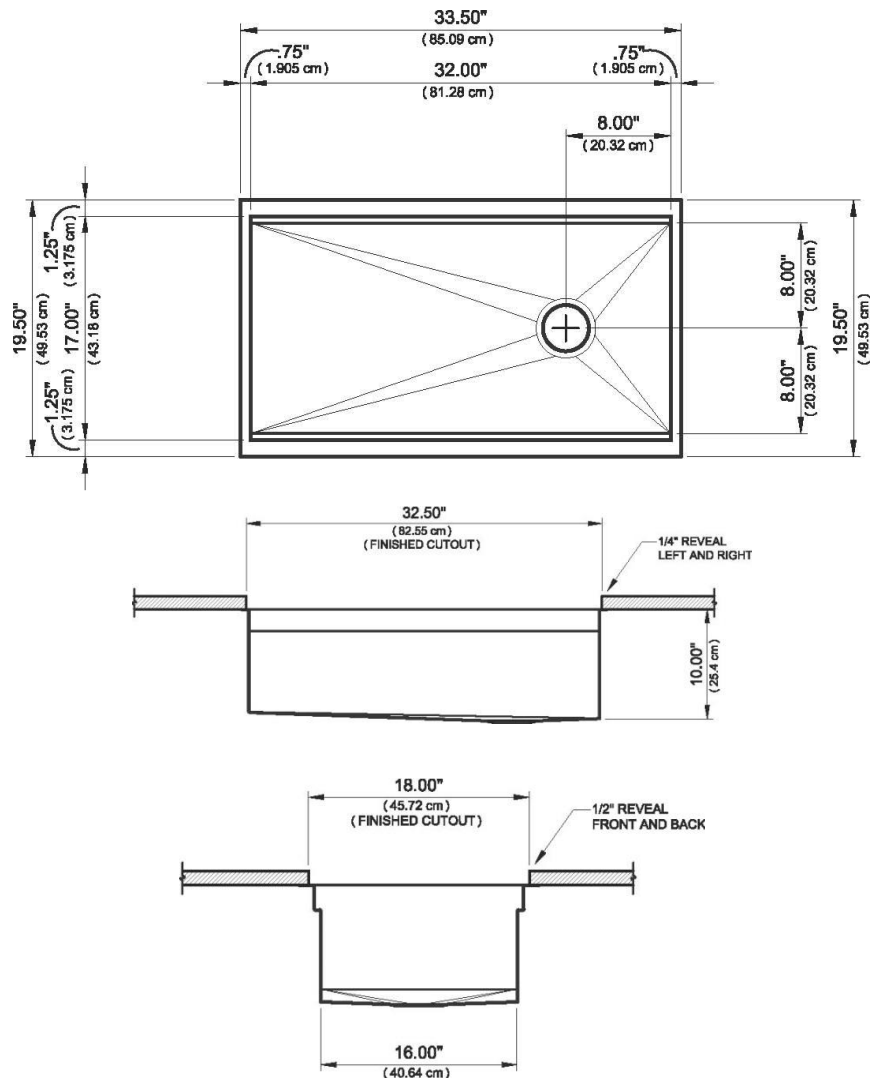
Origin: USA

Description: IWS Undermount 1-Person Single Bowl Double Tier True Edge Reversible Kitchen Sink Workstation w/ Side Drain in Angel Finish Stainless Steel w/ 5- Piece Culinary Kit in Graphite Wood Composite 33-1/2" x 19-1/2"



GENERAL FEATURES & SPECIFICATIONS

- One Piece Single Bowl
- 1-Person
- Under Mount w/ TrueEdge
- Double Tier
- Reversible Sink w/ Side Drain
- Round Drain Cover Conceals Drain While Still Allowing Water to Flow
- CO: 32-1/2" x 18" x 10"
- OD: 33-1/2" x 19-1/2"
- Minimum Required Outside Cabinet Dimensions: 36" x 24"
- 5- Piece Culinary Kit Includes:
 - (1) Upper Tier Cutting Board 13" x 18"
 - (1) 11" Deluxe 7.2qt Bowl w/ Lid and Non-slip Bottom
 - (1) 11" Deluxe 7.2qt Colander w/ Soft Non-slip Handles & Feet
 - (1) Lower Tier Platform 13" x 17"
 - (1) Upper Tier Drain Rack 13" x 18"
- **Materials: 16ga Stainless Steel**
- **Finish: Angel Finish**
- **Accessory Colors: White or Grey Resin, Bamboo, or Graphite Wood Composite**



We cannot guarantee the accuracy of this information. Dimensions are nominal – for guidance only and are not to be used for pre-installation.

For further information call 312.832.9000 or visit us at hydrologychicago.com